

FRP COMPOSITE LEVEL INDICATOR

Mui Fatt Marketing Sdn Bhd

ABSTRACT

Discover the FRP composite level indicator with ball valve from Mui Fatt Marketing Sdn Bhd, a trusted local manufacturer in Malaysia. Engineered for efficiency and durability, this level indicator is crafted from lightweight, non-rust FRP composite materials. Perfect for diverse industrial applications, its innovative design ensures reliable fluid measurement while the integrated ball valve provides precise control. Elevate your processes with this cutting-edge, locally-manufactured solution!



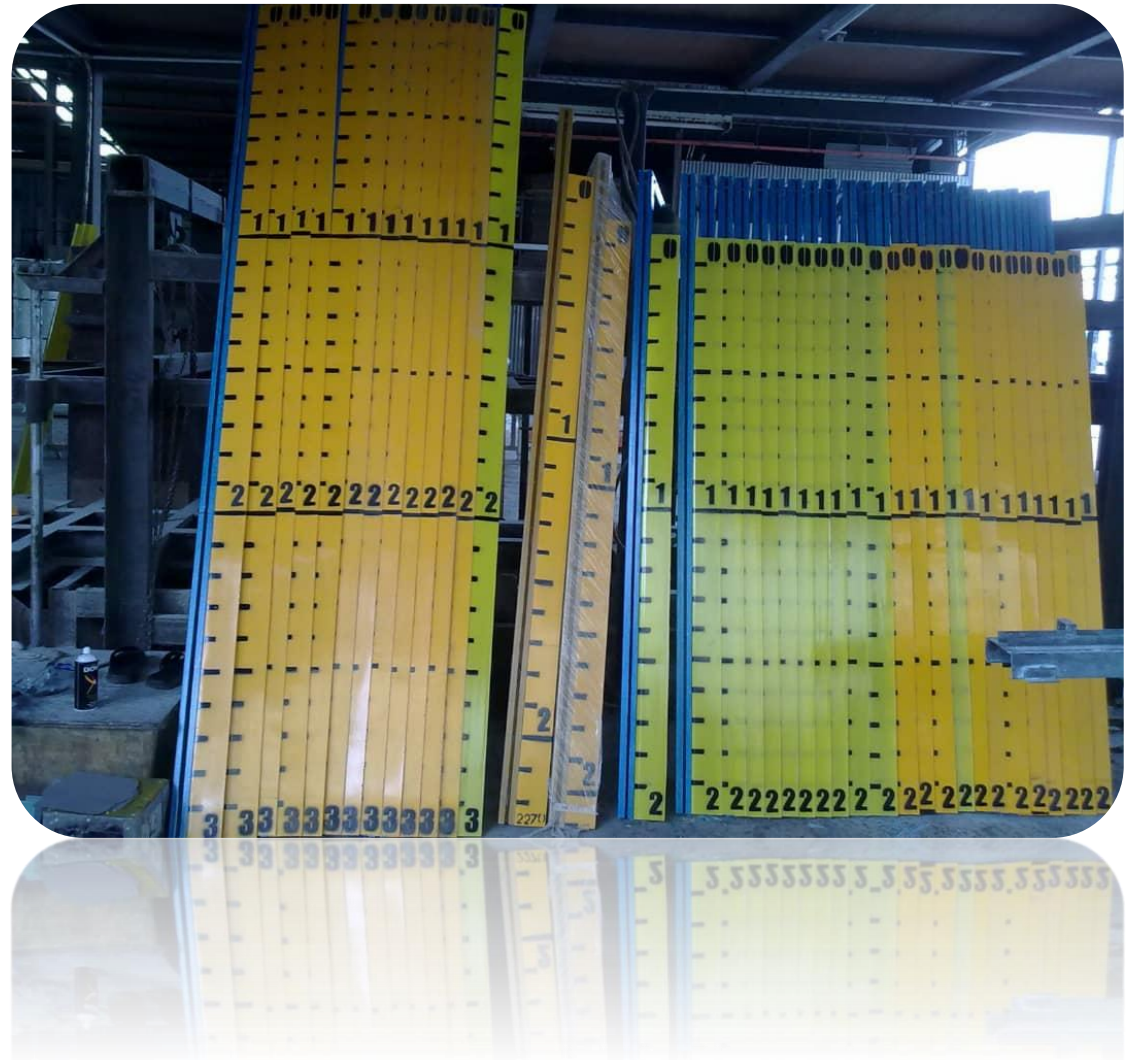
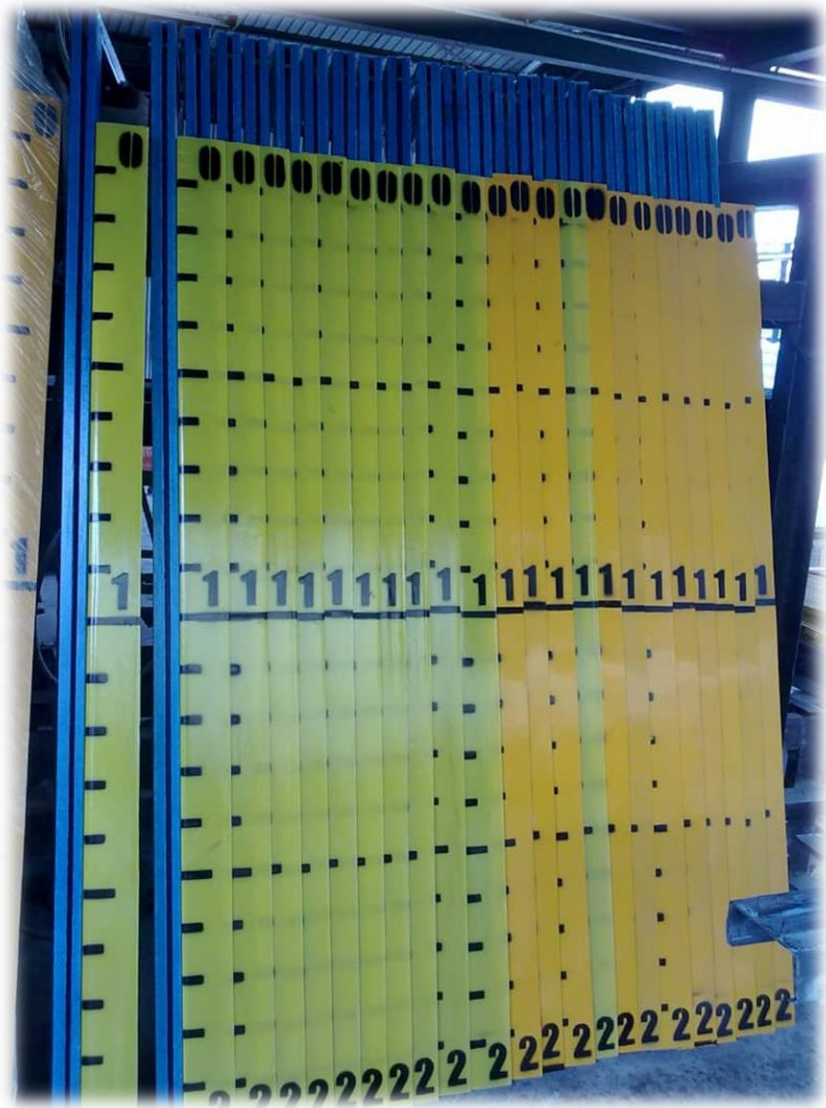
Introducing the Unique FRP Composite Level Indicator by Mui Fatt Marketing

Upgrade your tank accessories with the exceptional FRP composite level indicator from Mui Fatt Marketing. This innovative product surpasses conventional steel or aluminum models, providing superior strength and corrosion resistance. Crafted from high-quality Fiberglass Reinforced Plastics (FRP), it's the perfect solution for any type of water tank, whether steel, plastic, or otherwise.

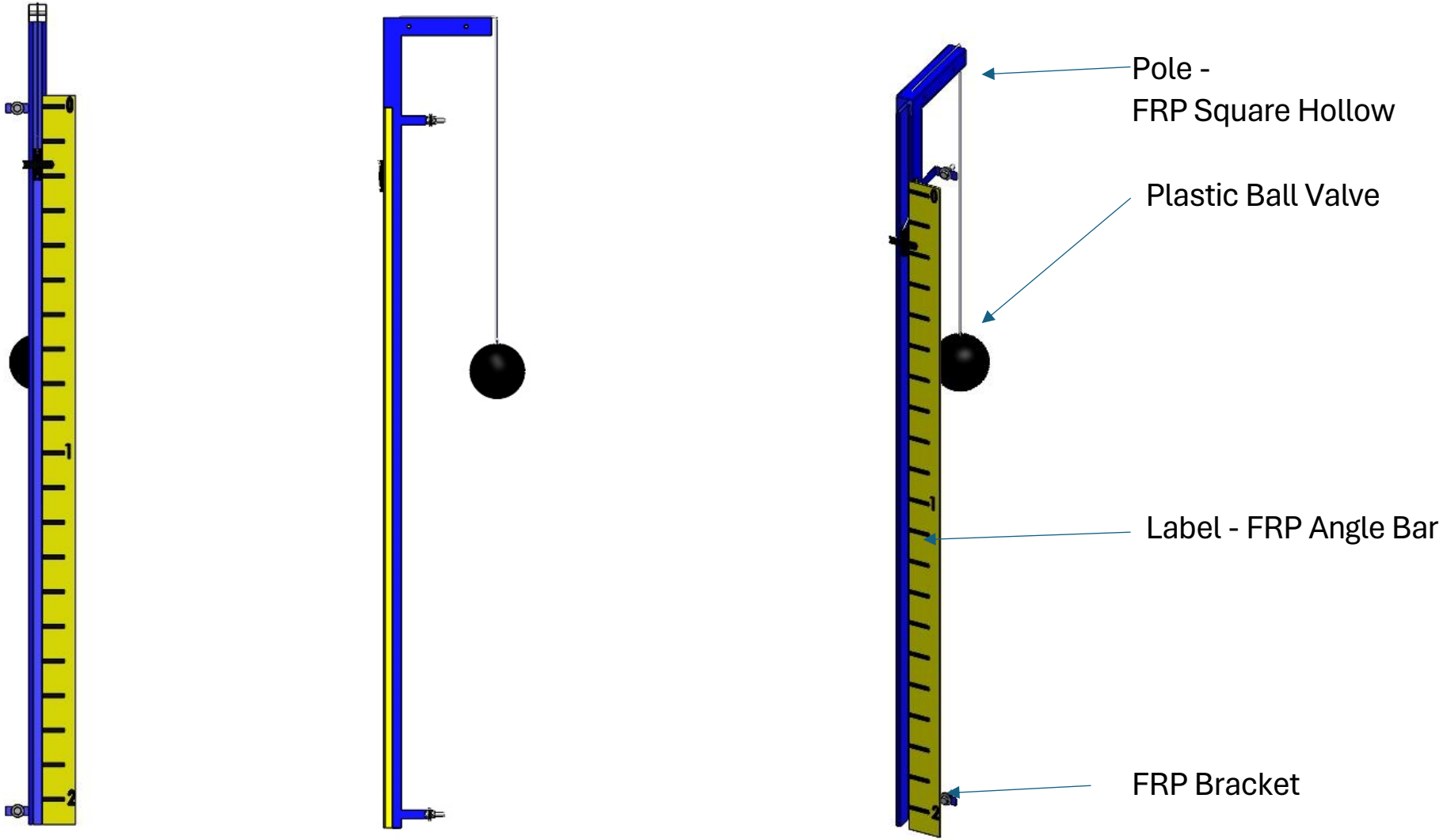
Our FRP level indicator is the ideal replacement for rust-prone models, offering unparalleled durability and reliability. While its longevity is unquestionable, fire resistance remains a key consideration. The pole, created using the advanced pultrusion process, and the label, made through the FRP line process, together deliver lightweight yet robust performance.

- Key Features:
- Lightweight: Significantly reduces the overall system weight for ease of use.
- Easy Installation: Straightforward setup means you can start using it right away.
- Low Maintenance: With excellent corrosion resistance, it requires minimal upkeep.
- Weather-Proof: Stands up to outdoor conditions, ensuring consistent performance.
- Customizable: Available in various lengths to meet your specific requirements.
- Durable and High Strength: Built to last with impressive durability and strength.

Upgrade to Mui Fatt Marketing's FRP composite level indicator and experience the perfect blend of innovation and functionality.



FRP LEVEL INDICATOR : 2m Height



Frequently Asked Questions :

Question : n/a

Answer : N/a

For Product Catalog :

<https://www.muifatt.com.my/e-catalogue/>

Company Details :

Mui Fatt Marketing Sdn Bhd

Lot 11793 Jalan Pengkalan Nelayan, Teluk Gong,
42000 Selangor Malaysia

For order status contact <https://wa.me/601156217219>

Visit our website www.muifatt.com.my for other products details

Like & follow our Facebook & Instagram @ <https://www.facebook.com/muifattmarketing>

<https://www.instagram.com/muifattmarketing/>

Email your enquiry at sales@muifatt.com.my

Our working hours 8:30am to 5:30pm Monday to Friday.

or sales and product enquiry <https://wa.me/60126257219>

Sales office : +603-31343888